

SFP MODULE SYSTEM PRODUCTS

2.5Gbps SFP Bi-Directional Transceiver 20-80km



FEATURE

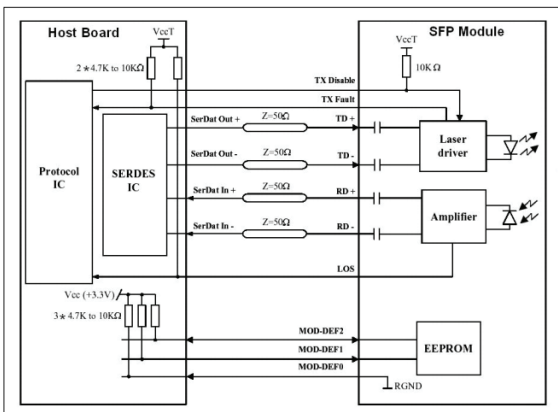
- Up to 2.67Gbps bi-directional data links
- Compliant with SFP MSA and SFF-8472 with simplex LC receptacle
- Digital Diagnostic Monitoring: Internal Calibration or External Calibration
- Compatible with SONET OC-48 system
- Compatible with RoHS
- +3.3V single power supply
- Operating case temperature range of 0°C to +70°C (Commercial) or -40°C to +85°C (Industrial)



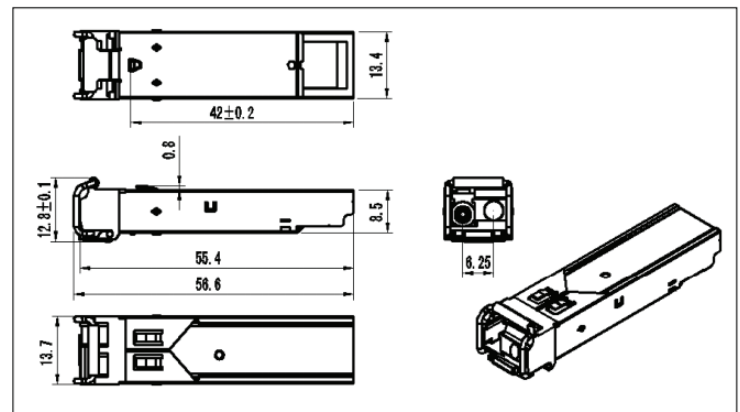
DESCRIPTION

- Class 1 laser product EN 60825-1 standards
- Compliant with SFP MSA and SFF-8472
- Compliant with SDH/SONET
- Single LC or SC connector
- Hot pluggable
- 3.3V Single Power Supply

RECOMMENDED INTERFACE CIRCUIT



MECHANICAL DIMENSIONS



ABSOLUTE MAXIMUM RATINGS

Parameter	Symbol	Min	Max	Unit
Storage Temperature	Ts	-40	+85	°C
Supply Voltage	Vcc	-0.5	4.5	V
Operating Humidity		5	85	%

RECOMMENDED OPERATING CONDITIONS

Parameter		Symbol	Min	Typical	Max	Unit
Operating Case Temperature	Commercial	Tc	0		+70	°C
	Industrial		-40		+85	°C
Power Supply Voltage		Vcc	3.13	3.3	3.47	V
Power Supply Current		Icc			300	mA
Data Rate				2.5		Gbps

RECOMMENDED OPERATING CONDITIONS

Feature	Standard	Performance
Electrostatic Discharge (ESD) to the Electrical Pins	MIL-STD-883E Method 3015.7	Class 1(>500 V) Isolation with the case
Electromagnetic Interference(EMI)	FCC Part 15 Class B	Compatible with standards
Laser Eye Safety	FDA 21CFR 1040.10 and 1040.11	Compatible with Class I laser product.
	EN60950, EN (IEC) 60825-1,2	Compatible with TÜV standards
Component Recognition	UL and CUL	UL file E317337
Green Products	2002/95/EC 2005/618/EC	RoHS6

DESCRIPTION

Model	Rate	Wavelength	Distance	Optical power	Sensitivity
MC-SFP-WDM-SM-0320A	2.5G	TX1310nm	20km	-5~0dBm	<-18dBm
MC-SFP-WDM-SM-0320B	2.5G	TX1550nm	20km	-5~0dBm	<-18dBm
MC-SFP-WDM-SM-0340A	2.5G	TX1310nm	40km	-2~3dBm	<-20dBm
MC-SFP-WDM-SM-0340B	2.5G	TX1550nm	40km	-2~3dBm	<-20dBm
MC-SFP-WDM-SM-0380A	2.5G	TX1490nm	80km	0~5dBm	<-28dBm
MC-SFP-WDM-SM-0380B	2.5G	TX1550nm	80km	0~5dBm	<-28dBm

ORDER INFORMATION

PRODUCT	PART NUMBER
Tx1550/Rx1310nm, 2.5Gbps, LC, 20km, 0°C~+70°C	MC-SFP-WDM-SM-0320A
Tx1310/Rx1550nm, 2.5Gbps, LC, 20km, 0°C~+70°C	MC-SFP-WDM-SM-0320B
Tx1310/Rx1550nm, 2.5Gbps, LC, 40km, 0°C~+70°C	MC-SFP-WDM-SM-0340A
Tx1550/Rx1310nm, 2.5Gbps, LC, 40km, 0°C~+70°C	MC-SFP-WDM-SM-0340B
Tx1490/Rx1550nm, 2.5Gbps, LC, 80km, 0°C~+70°C	MC-SFP-WDM-SM-0380A
Tx1550/Rx1490nm, 2.5Gbps, LC, 80km, 0°C~+70°C	MC-SFP-WDM-SM-0380B